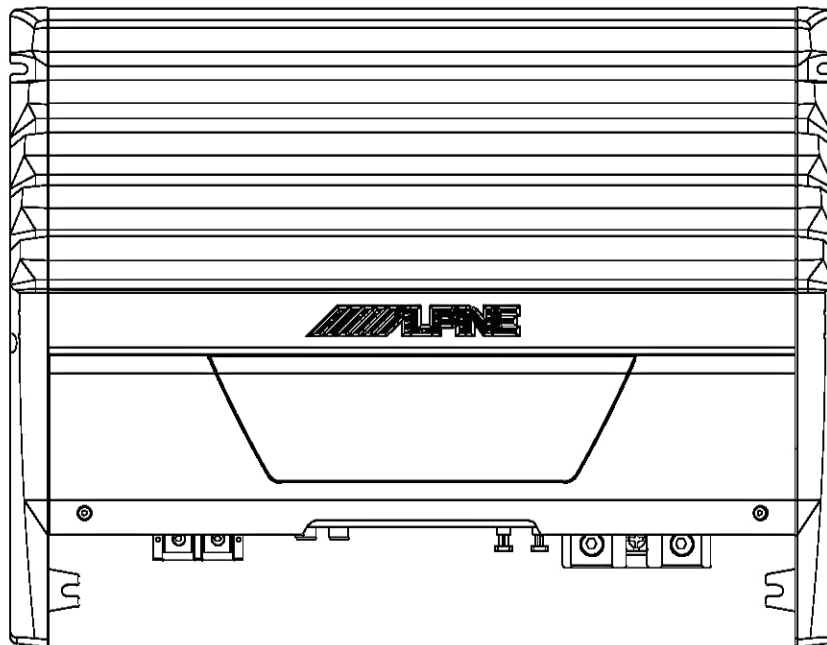


# **///ALPINE** **SERVICE MANUAL**

---

## **MONO POWER AMPLIFIER**

---



2 / 04-A  
68E36267S01

---



# **MRD-M501**

## <Cautions for Safe Repair Work>



The following cautions will prevent accidents in the workplace and will ensure safe products.

\*The symbols indicate caution is needed to prevent injuries and damage to property.

The symbols and their meanings follow.

 <b>Warning</b>	If you ignore this symbol and handle the product incorrectly or unsafely, serious injury or death may result.
 <b>Caution</b>	If you ignore this symbol and handle the product incorrectly or unsafely, injury or only material damage may result.



\*The following symbols indicate two levels of cautions.



 When you see this symbol, you have to be very careful.	
 When you see this symbol, you have to follow the instructions there.	



### **Warning**

 <b>Do not look squarely into the laser light coming from the pickup.</b> You may lose your sight.	 <b>Fuse Caution</b> Always use a designated fuse. Use of an incorrect fuse may result in a fire.
--	--

### **Caution**

 <b>Do not allow wiring to be caught in the screw/chassis.</b> If wiring is caught in the screw/chassis, it may cause a short circuit, resulting in a fire.	 <b>Battery Caution</b> Use the designated battery. Confirm the correct polarity and seat of the battery. An incorrect battery or an improperly connected or seated battery may result in a fire.
---	---

 <b>High Temperature Caution</b> Touching the heat sink may cause severe burns.	 <b>Designated Parts Caution</b> Look up the part list and ensure that only designated parts are used to prevent problems or accidents.
---	---

 <b>Reverse Power Supply Connections or Misconnections Caution</b> Reverse power supply connections or misconnections may cause ignition problems and smoke may result.	 <b>Wiring Caution</b> Ensure that the wiring is correct when rewiring to prevent problems with ignition/breakdown.
---	---

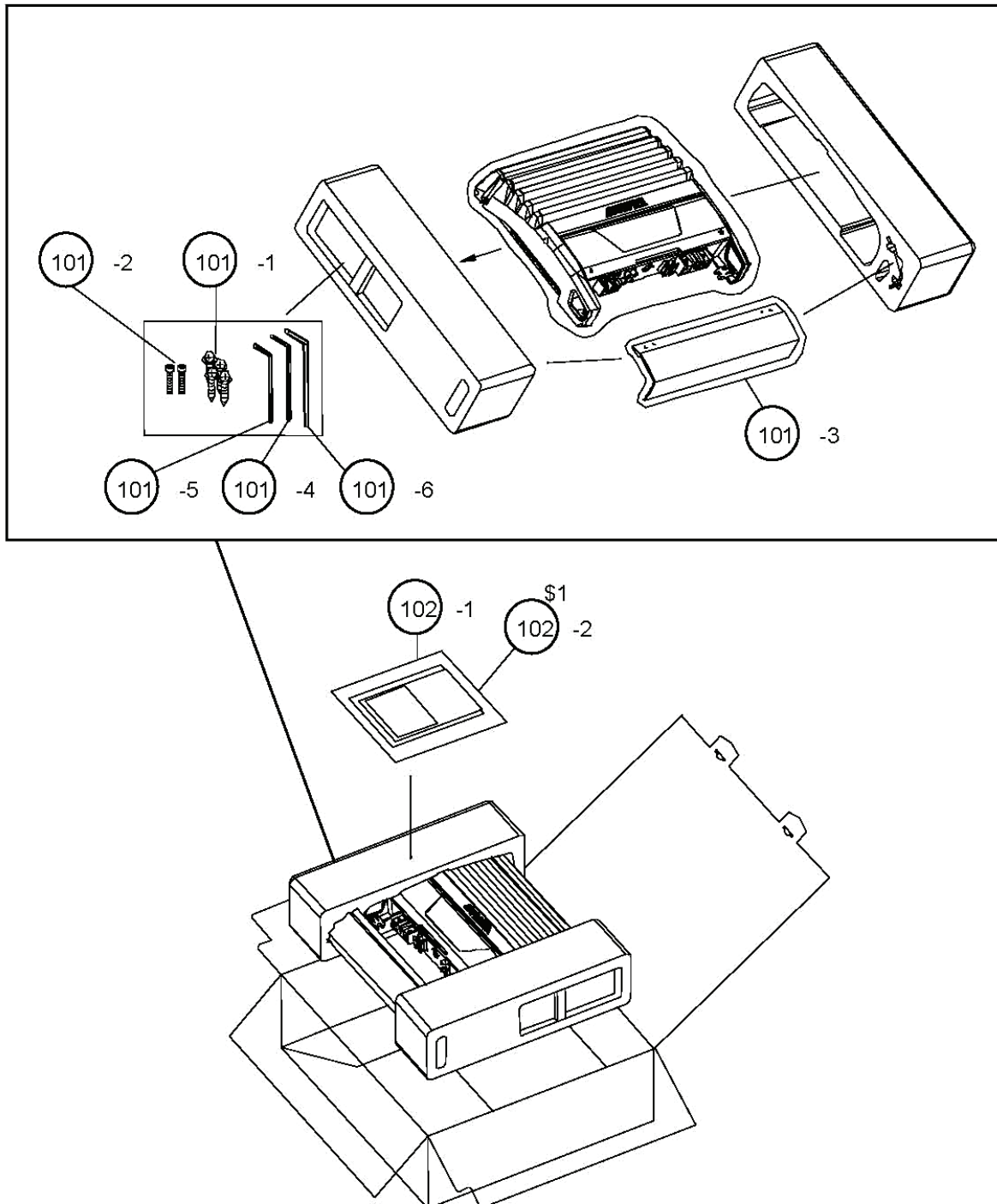
 <b>Soldering Caution</b> Hot solder from solder splash may cause severe burns.	 <b>Wear Gloves</b> Wear gloves to prevent electrical shocks or injury from the end face of the metal.
---	--

# Packing Assembly Parts List

Symbol No.	Part No.	Description	Symbol No.	Part No.	Description
101-1	03E36238S01	SCR(M4X20 TPG1,BLK)	101-6	47E35195S01	WRENCH (4mmX4.6mm)
101-2	03E36208S01	WRENCH BOLT(M3X12(WHT))	#1 102-1	68P04190K32	OWNERS MANUAL(AE)
101-3	15E36257S01	COVER TERMINAL(B)	\$1 102-1	68P04190K18	OWNERS MANUAL(GE)
101-4	47E22594S01	WRENCH (2.5mmX2.9mm)	%1 102-1	68-00346Z15	OWNERS MANUAL(EU)
101-5	01E28659S01	WRENCH (2mmX2.3mm)	\$1 102-2	68P04190K19	OWNERS MANUAL(I.G.S)

NOTE : #1 : For North American Model Only, \$1 : For European Model Only,  
 &1 : For Chinese Model Only, Others : Common.

## Packing Method View



NOTE : \$1 : For European Model Only, Others : Common.

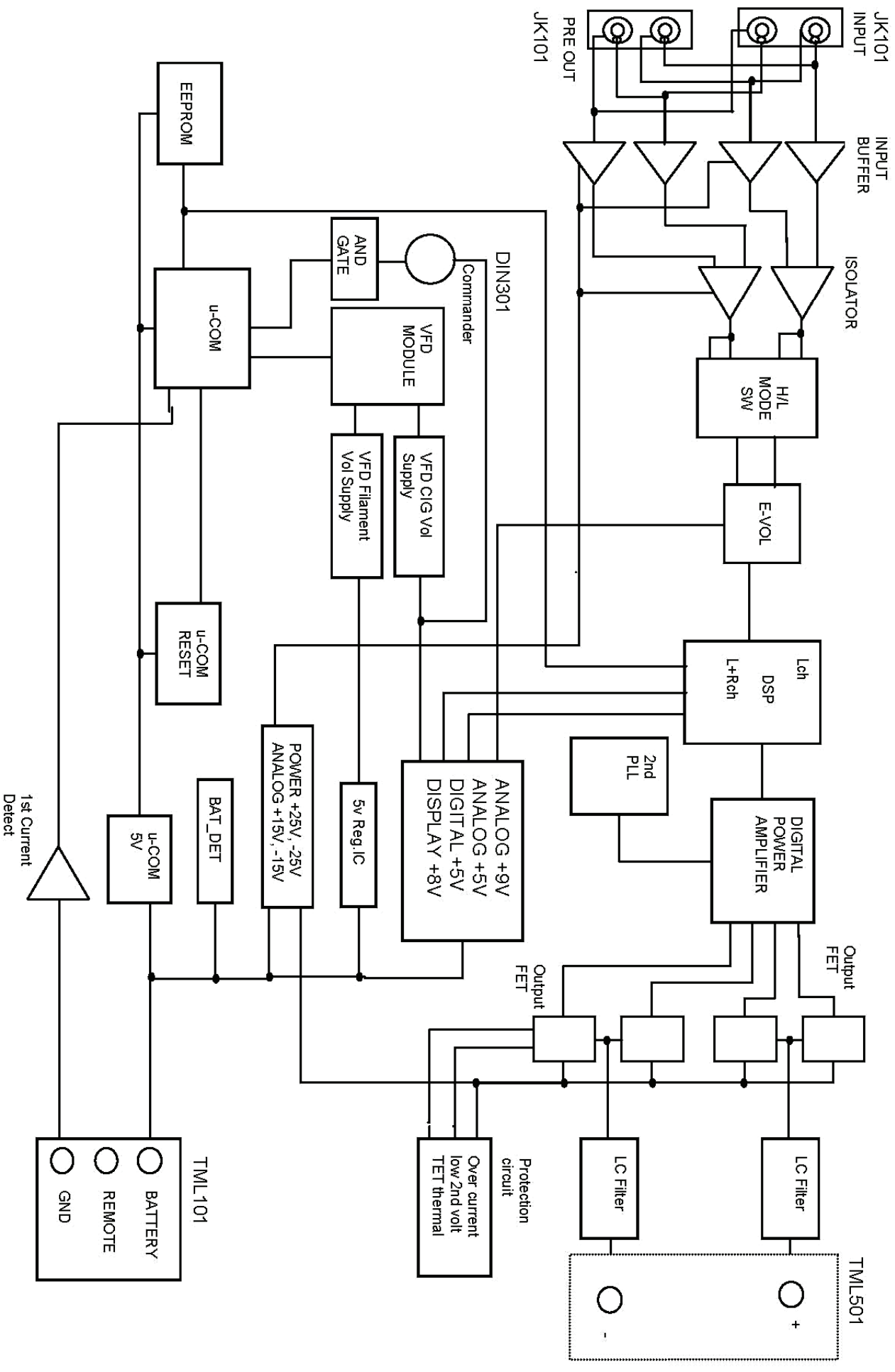
## Specifications

Power Output (20Hz, 100Hz) .....	4ohm, 1% T.H.D., 14.4V : 260W 2ohm, 1% T.H.D., 14.4V : 500W
T.H.D. (100Hz) .....	200W/ch/4ohm, 14.4V : 1%
S/N Ratio (Ref. Output 275W/4ohm, Input short, Gain Position 0dB) .....	81dB
Residual Noise (Input Short, Gain Position 0dB) .....	30mV
Frequency Response (Ref. 100Hz, 0dB) .....	20Hz : -0.5±2dB 350Hz : -6±2dB
Input Sensitivity (Power Gain at 300W/4ohm Output) .....	RCA Input Level : 0.5-8V, Gain Position -6dB : 1V±2dB RCA Input Level : 0.1-2V, Gain Position -18dB : 0.9V±2dB
Remote on Voltage (1W Output) .....	6.5±1V
Current Drain .....	No Signal : 1.5A 9% T.H.D., 2ohm Load : 80A Remote Current Drain : 0.26±0.1mA Back-Up Current Drain : 1.2mA
Pre-Out Level (at 1V Input) .....	1V±2dB
Fuse Requirement .....	30A(Peak) x 2 (For Battery Line)
Power Source .....	DC14.4V (11~16V)
Dimensions (W x H x D) .....	348 x 65 x 270mm
Weight .....	4.2kg

NOTE : Due to Continuing product improvement, specifications and designs are subject to change without notice.

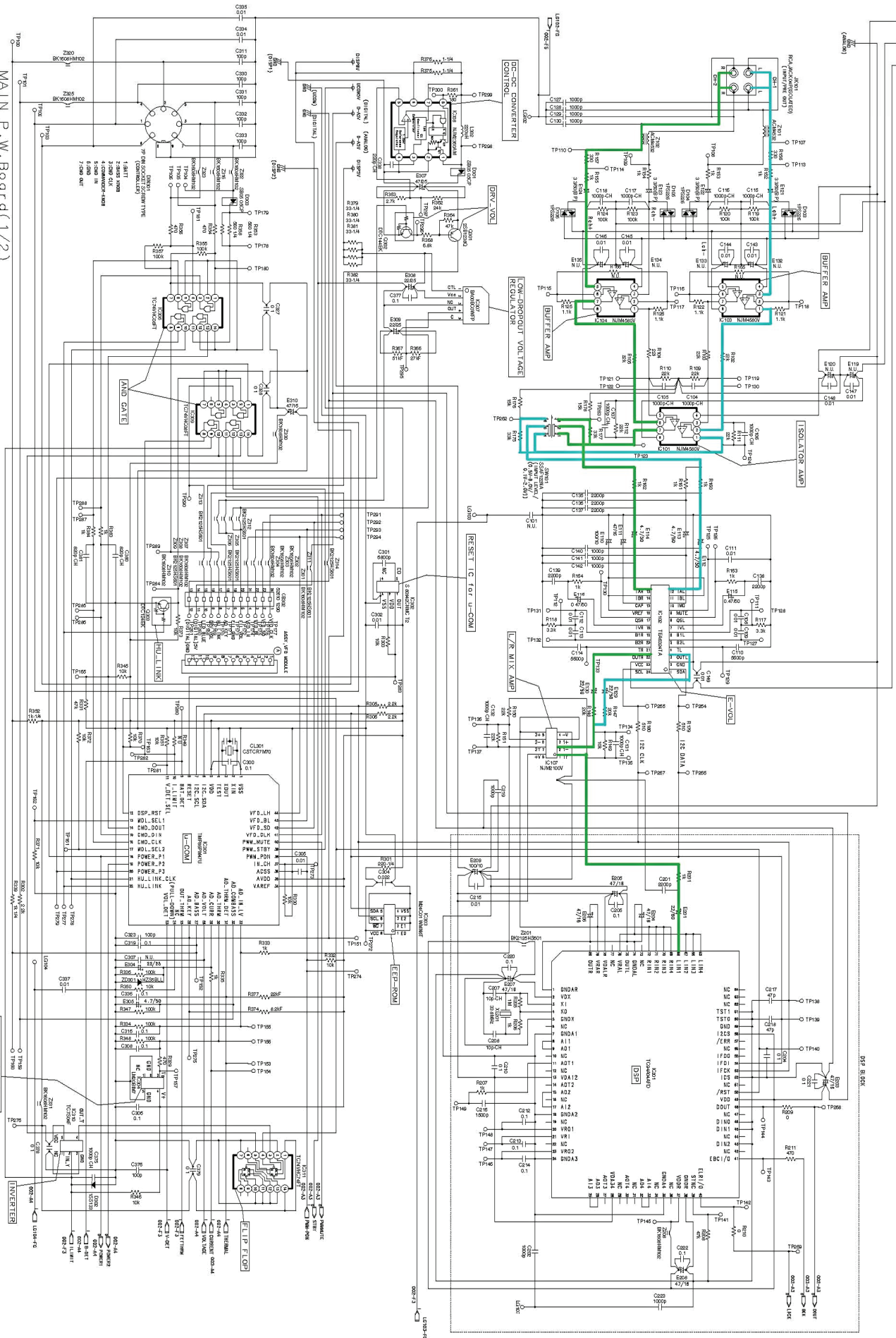
# Block Diagram

MRD-M501



Schematic Diagram (1/2)

MRD-MS01

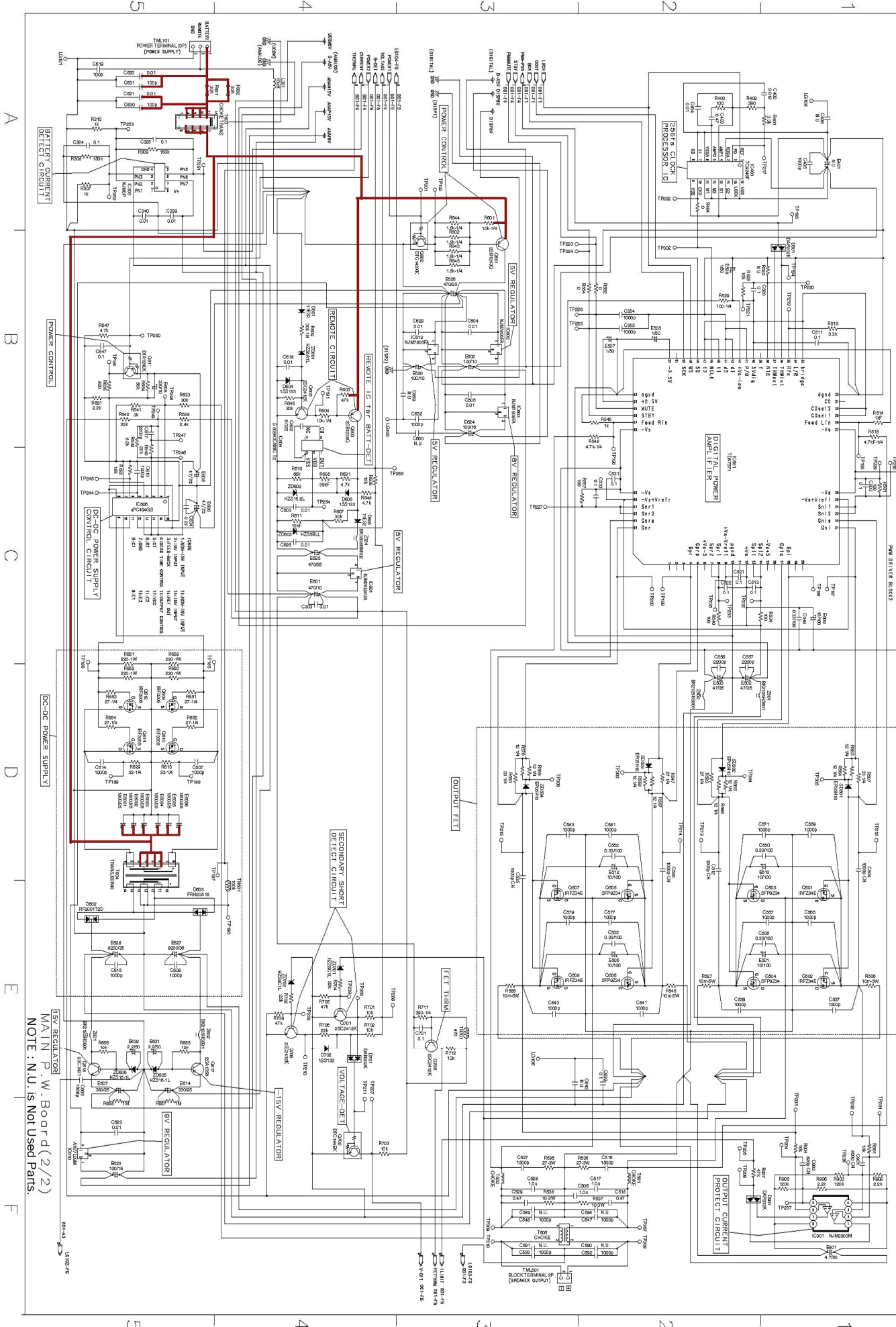


MAIN P.W. Board (1/2)  
NOTE: N.U.'s Not Used Parts

INNER TEMPERATURE  
DETECT IC

Schematic Diagram(2/2)

MRD-M501



## Terminal Voltage of IC/TR

IC101	
1	4.1m
2	4.8m
3	9.9m
4	-15.153
5	9.98m
6	9.8m
7	4.76m
8	15.204

IC102					
1	5.075	9	8.913	17	4.506
2	4.9m	10	4.49	18	4.445
3	4.502	11	4.503	19	4.481
4	4.498	12	4.49	20	4.5
5	4.503	13	4.49	21	4.495
6	4.485	14	4.503	22	4.499
7	4.444	15	4.889	23	8.975
8	4.504	16	4.503	24	5.077

IC103	
1	13.46m
2	13.1m
3	0
4	-15.129
5	0
6	13.51m
7	13.44m
8	15.186

IC104	
1	13.72m
2	13.77m
3	0
4	-15.061
5	0
6	13.55m
7	13.43m
8	15.146

IC107	
1	2.528
2	2.529
3	2.528
4	4.84m
5	2.528
6	2.529
7	2.528
8	5.067

IC201									
1	4.87m	17	819.8	33	800.7m	49	5.065	65	2.521
2	5.066	18	3.46	34	NC	50	5.073	66	2.521
3	2.385	19	NC	35	3.47m	51	NC	67	2.521
4	3.365	20	2.53	36	NC	52	2.86m	68	2.521
5	2.87m	21	2.531	37	5.065	53	5.077	69	2.518
6	NC	22	NC	38	2.86m	54	5.077	70	2.527
7	3.45m	23	2.399	39	24.5	55	19.21m	71	2.527
8	814.8m	24	3.46m	40	1.777	56	NC	72	2.527
9	814.8m	25	797m	41	2.558	57	18.7m	73	NC
10	NC	26	797m	42	NC	58	5.065	74	3.44m
11	682.2m	27	618.8m	43	2.86m	59	2.87m	75	NC
12	NC	28	5.066	44	NC	60	2.87m	76	2.521
13	3.46m	29	NC	45	2.84m	61	2.87m	77	NC
14	690.9m	30	628.4m	46	2.8m	62	NC	78	5.066
15	819.7m	31	NC	47	NC	63	NC	79	2.527
16	NC	32	800.7m	48	1.987	64	NC	80	2.525

IC301							
1	4.07m	12	5.073	23	5.073	34	5.078
2	2.147	13	4.01m	24	4.9m	35	5.078
3	2.341	14	4.202	25	14.4m	36	4.04m
4	4.08m	15	4.19m	26	5.074	37	4.7m
5	5.077	16	4.18m	27	5.077	38	5.074
6	5.076	17	5.073	28	3.586	39	5.076
7	5.076	18	4.997	29	64.66m	40	5.076
8	5.073	19	4.989	30	1.488	41	5.5m
9	5.071	20	5.064	31	5.068	42	6.6m
10	5.077	21	4.9m	32	6.5m	43	4.55m
11	4.74m	22	4.9m	33	2.502	44	4.6m



IC302	
1	5.074
2	5.078
3	4.06m
4	NC
5	4.05m

IC303			
1	4.1m	5	5.077
2	4.1m	6	5.077
3	4.1m	7	4.1m
4	4.1m	8	5.078

IC304	
1	NC
2	3.98m
3	1.5
4	5.078
5	3.98

IC305	
1	15.154
2	3.62m
3	3.69m
4	-15.209
5	4.1m
6	56m
7	15.255
8	15.177

IC306			
1	5m	8	4.22m
2	5.077	9	4.9m
3	4.17m	10	4.9m
4	3.3m	11	5.077
5	5.077	12	5.077
6	4.17	13	4.202
7	4.17	14	5.077

IC307	
1	2.925
2	2.925
3	4.3m
4	1.907
5	1.251

IC308	
1	8.056
2	4.16m
3	406.5m
4	4.16m
5	1.324
6	8.094
7	8.078
8	4.661

IC309			
1	4.997	8	4.16m
2	5.073	9	4.16m
3	5.049	10	4.17m
	4.17m	11	5.077
5	4.17m	12	5.075
6	4.17m	13	5.078
7	4.17m	14	5.077

IC310	
1	NC
2	5.073
3	4.26m
4	4.26m
5	5.078

IC311			
1	5.078	8	4.17m
2	4.25m	9	4.17m
3	4.26m	10	4.17m
4	5.073	11	5.077
5	4.17m	12	4.28m
6	4.17m	13	4.26m
7	4.17m	14	5.078

IC401			
1	2.538	9	4.33m
2	2.679	10	2.357
3	5.067	11	5.067
4	2.679	12	5.067
5	1.578	13	4.33m
6	4.34m	14	5.067
7	4.33m	15	5.045
8	5.064	16	5.067

IC501									
1	NC	14	28.41	27	-28.35	40	4.889	53	3.86m
2	NC	15	NC	28	-2.77m	41	4.26m	54	2.447
3	NC	16	NC	29	4.889	42	26.51	55	5.077
4	24.32	17	24.82	30	4.889	43	4.27m	56	5.078
5	24.81	18	24.33	31	NC	44	4.27m	57	-0.2m
6	NC	19	NC	32	4.3m	45	4.889	58	-28.36
7	28.41	20	NC	33	4.889	46	2.361	59	-28.36
8	28.41	21	-24.01	34	4.28m	47	4.889	60	-18.464
9	18.665	22	-24.46	35	2.642	48	1.65	61	-28.34
10	3.93m	23	-28.34	36	4.943	49	2.538	62	-28.34
11	NC	24	-28.34	37	4.949	50	2.532	63	-24.5
12	28.42	25	-18.462	38	4.864	51	NC	64	-24.03
13	28.41	26	-28.35	39	NC	52	-2.406		

IC601	
1	5.078
2	3.92m
3	13.652

IC602	
1	14.318
2	4.24m
3	5.072

IC603	
1	14.326
2	4.12m
3	8.093

IC604	
1	5.074
2	8.018
3	3.89m
4	NC
5	3.88m

IC606			
1	2.597	9	252.7m
2	2.594	10	247.1m
3	4.025	11	14.328
4	198.2m	12	14.327
5	1.693	13	5.039
6	3.752	14	5.039
7	3.87m	15	5.039
8	14.328	16	3.85m

IC610	
1	14.326
2	4.62m
3	8.972

IC612	
1	14.313
2	4.25m
3	5.078

IC901			
1	5.074	5	-27.73
2	-28.33	6	-28.83
3	-27.73	7	5.074
4	-28.36	8	3.85m

	G	D	S		G	D	S
Q501	-24.44	-225.4m	-28.35	Q507	-24.48	-131m	-28.36
Q502	-24.45	-222.2m	-28.35	Q508	-24.48	-131m	-28.36
Q503	24.83	-132.8m	28.44	Q609	245.1m	14.394	4m
Q504	24.82	-131.5m	28.44	Q610	250m	14.394	4m
Q505	24.82	-223.4m	28.44	Q612	242m	14.394	4m
Q506	24.82	-223.6m	28.44	Q614	243.4m	14.394	4m

	E	B	C		E	B	C
Q301	12.532	12.415	12.441	Q611	4.988	5.039	199.3m
Q302	4.1m	5.064	50.59m	Q617	-15.138	-15.732	-28.33
Q303	4.93m	4.03m	5.074	Q618	15.189	15.813	28.44
Q601	14.41	462.8m	14.397	Q701	3.84m	11.68m	703.5m
Q602	3.95m	4.996	86.33m	Q702	3.84m	28.72m	3.804
Q603	14.41	682m	14.349	Q705	-27.63	-28.33	-28.32
Q605	30m	3.89	682m	Q706	3.94m	776m	14.3m

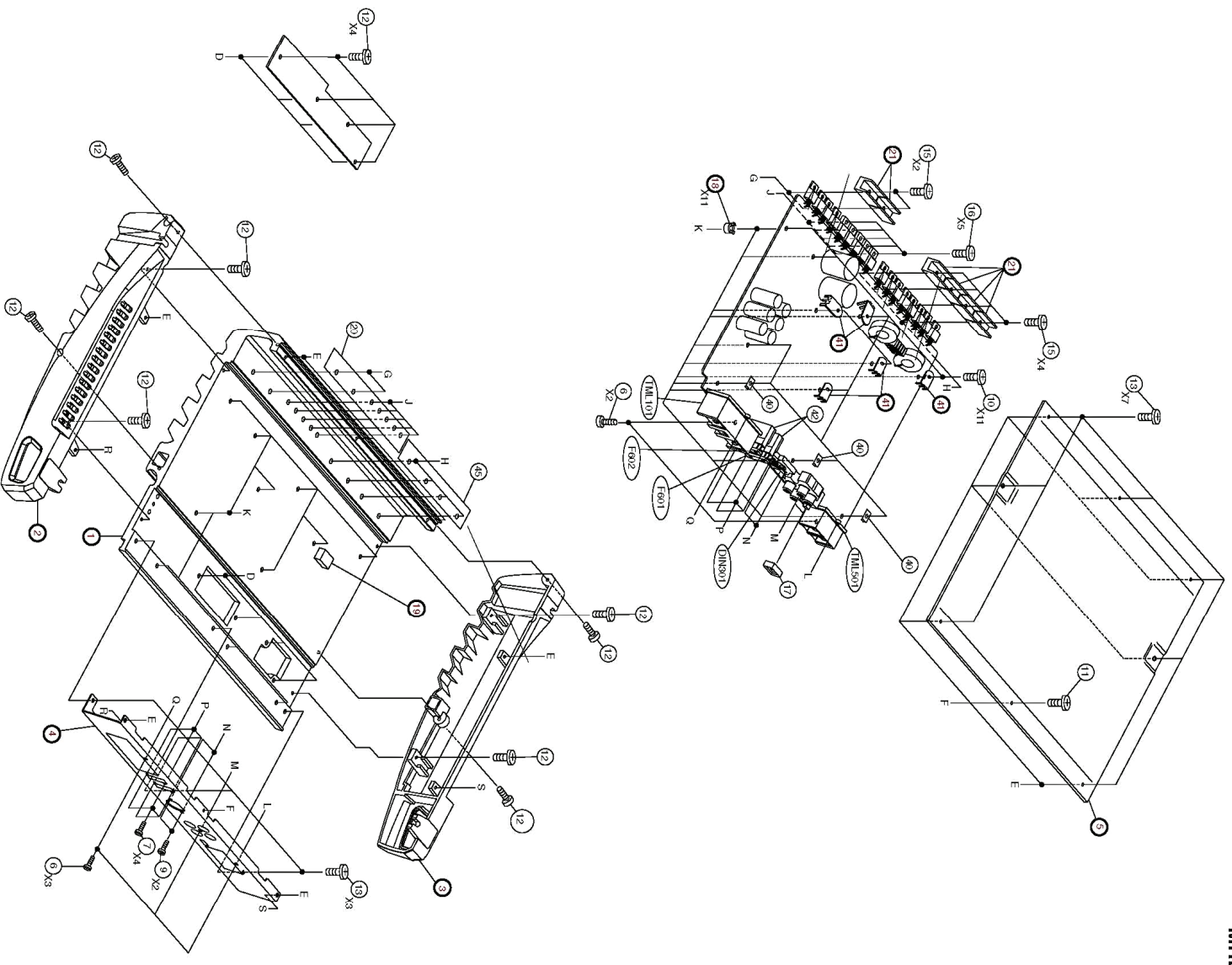
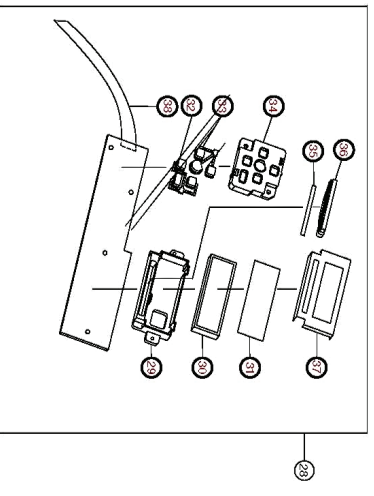
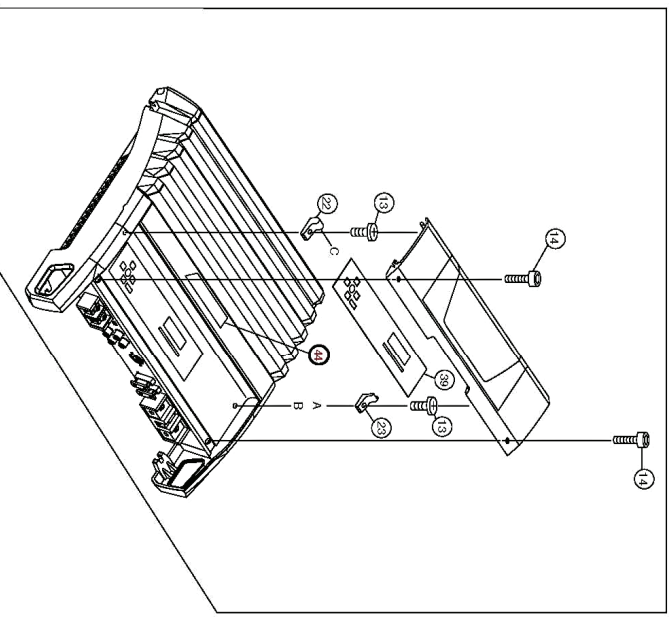
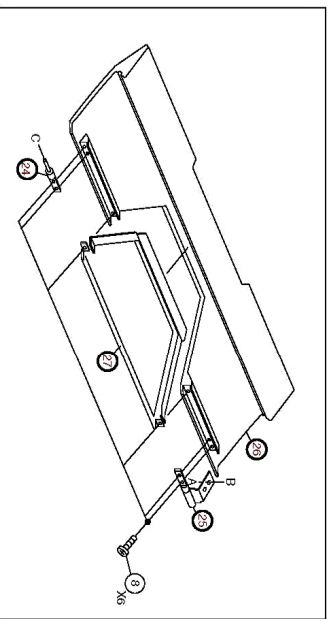
## [Measuring Conditions]

- |                              |                       |
|------------------------------|-----------------------|
| 1. Power Supply Voltage      | : DC14.4V             |
| 2. Measuring Meter           | : Digital Multi Meter |
| 3. Measuring Point Reference | : Between GND         |
| 4. Measuring Condition       | : No Signal Input     |

## Description of IC Terminal

### TMP86PM47U : IC301

No.	Symbol	I/O	Terminal Description
1	VSS	I	GND connect terminal of A/D converter.
2	XIN	I	Crystal OSC connect terminal.
3	XOUT	O	
4	TEST	I	TEST terminal.
5	VDD	I	Power supply terminal. (4.5 to 5.5V)
6	I2C_SDA	O	I2C-SDA output terminal.
7	I2C_SCL	O	I2C-SCL output terminal.
8	RESET	I	RESET terminal.
9	BAT_DET	I	BAT-DET terminal.
10	I_LIMIT	I	I_LIMIT input terminal.
11	V_DET_SEL	O	VOLT-DET circuit ON/OFF terminal.
12	DSP_RST	O	DSP-RESET output terminal.
13	MDL_SEL1	I	Model distinction input terminal.
14	CMD_DOUT	O	Outer commander data output terminal.
15	CMD_DIN	I	Outer commander data input terminal.
16	CMD_CLK	I	Outer commander clock terminal.
17	MDL_SEL2	I	Model distinction input terminal.
18	POWER_P1	O	Power supply circuit control signal output terminal.
19	POWER_P2		
20	POWER_P3		
21	HU_LINK_CLK	O	HU LINK indicator clock output terminal.
22	HU_LINK	O	HU LINK indicator output terminal.
23	VOLT_DET	I	VOLT-DET terminal.
24	NC(PULL-DOWN)	-	Pull-down connect terminal.
25	OUT_THRM	I	Output Thermal detect 1
26	AD_KEY	I	KEY level input terminal.
27	AD_BASS	I	Gain level input terminal. (Bass Knob)
28	AD_VOLT	I	Voltage signal input terminal.
29	AD_CURR	I	Current signal input terminal.
30	AD_THRM	I	Temperature signal input terminal.
31	AD_THRM_DET	I	Temperature detect input terminal.
32	AD_COMBASS	O	Gain level input terminal. (Commander)
33	AD_IN_LV	I	Input level signal input terminal.
34	VAREF	I	Analog standard voltage terminal.
35	AVDD	-	Analog power supply terminal of A/D converter.
36	AVSS	-	GND connect terminal of A/D converter.
37	IN_CH	O	PWM-1/1+2 select output terminal.
38	PWM_PDN	I	PWM-PDN input terminal.
39	PWM_STBY	O	PWM-STAND-BY output terminal.
40	PWM_MUTE	O	PWM-MUTE output terminal.
41	VFD_CLK	O	VFD driver synchronous clock output terminal.
42	VFD_SD	O	VFD driver transmission data output terminal.
43	VFD_BL	O	VFD driver blank output output terminal.
44	VFD_LH	O	VFD driver latch & hold output terminal.



## Electrical Parts List

\* Each parts on P.W.Board are described in order of the reference number.

=====MAIN P.W.Board

C104	08E33660S01	CAP, CER 102-J-CHIH
C105	08E33660S01	CAP, CER 102-J-CHIH
C106	08E33660S01	CAP, CER 102-J-CHIH
C107	08E33660S01	CAP, CER 102-J-CHIH
C108	08E28771S01	CAP,CER 103-K-B1H-CP
C109	08E28771S01	CAP,CER 103-K-B1H-CP
C110	08E31817S01	CAP,CER 562-K-B1H-CP
C111	08E28771S01	CAP,CER 103-K-B1H-CP
C112	08E28771S01	CAP,CER 103-K-B1H-CP
C113	08E28771S01	CAP,CER 103-K-B1H-CP
C114	08E31817S01	CAP,CER 562-K-B1H-CP
C115	08E33660S01	CAP, CER 102-J-CHIH
C116	08E33660S01	CAP, CER 102-J-CHIH
C117	08E33660S01	CAP, CER 102-J-CHIH
C118	08E33660S01	CAP, CER 102-J-CHIH
C127	08E33110S01	CAP,CER 102-K-B1H-CP
C128	08E33110S01	CAP,CER 102-K-B1H-CP
C129	08E33110S01	CAP,CER 102-K-B1H-CP
C130	08E33110S01	CAP,CER 102-K-B1H-CP
C131	08E33660S01	CAP, CER 102-J-CHIH
C132	08E33660S01	CAP, CER 102-J-CHIH
C135	08E20992S01	CAP,TF,AMCS 222-J-RD
C136	08E20992S01	CAP,TF,AMCS 222-J-RD
C137	08E20992S01	CAP,TF,AMCS 222-J-RD
C138	08E20992S01	CAP,TF,AMCS 222-J-RD
C139	08E20992S01	CAP,TF,AMCS 222-J-RD
C140	08E33110S01	CAP,CER 102-K-B1H-CP
C141	08E33110S01	CAP,CER 102-K-B1H-CP
C142	08E33110S01	CAP,CER 102-K-B1H-CP
C143	08E28771S01	CAP,CER 103-K-B1H-CP
C144	08E28771S01	CAP,CER 103-K-B1H-CP
C145	08E28771S01	CAP,CER 103-K-B1H-CP
C146	08E28771S01	CAP,CER 103-K-B1H-CP
C147	08E28771S01	CAP,CER 103-K-B1H-CP
C148	08E28771S01	CAP,CER 103-K-B1H-CP
C149	08E28771S01	CAP,CER 103-K-B1H-CP
C201	08E20992S01	CAP,TF,AMCS 222-J-RD
C202	08E33110S01	CAP,CER 102-K-B1H-CP
C204	08E31820S01	CAP,CER 104-K-B1E-CP
C205	08E31820S01	CAP,CER 104-K-B1E-CP
C207	08E32054S01	CAP,CER 10R-D-CH1H-CP
C208	08E32054S01	CAP,CER 10R-D-CH1H-CP
C210	08E31820S01	CAP,CER 104-K-B1E-CP
C212	08E31820S01	CAP,CER 104-K-B1E-CP
C213	08E31820S01	CAP,CER 104-K-B1E-CP
C214	08E31820S01	CAP,CER 104-K-B1E-CP
C215	08E28771S01	CAP,CER 103-K-B1H-CP
C216	08E31828S01	CAP,CER 152-K-B1H-CP
C217	08E33395S01	CAP,CER 47R-J-CH1H-CP
C218	08E33395S01	CAP,CER 47R-J-CH1H-CP
C219	08E33110S01	CAP,CER 102-K-B1H-CP

C220	08E31820S01	CAP,CER 104-K-B1E-CP
C221	08E31820S01	CAP,CER 104-K-B1E-CP
C222	08E31820S01	CAP,CER 104-K-B1E-CP
C223	08E33110S01	CAP,CER 102-K-B1H-CP
C300	08E31820S01	CAP,CER 104-K-B1E-CP
C301	08E29517S01	CAP,TF,AMCS 682-J-RD
C302	08E28771S01	CAP,CER 103-K-B1H-CP
C303	08E28771S01	CAP,CER 103-K-B1H-CP
C304	08E31170S01	CAP,CER 223-K-B1H-CP
C305	08E28771S01	CAP,CER 103-K-B1H-CP
C306	08E31820S01	CAP,CER 104-K-B1E-CP
C308	08E31820S01	CAP,CER 104-K-B1E-CP
C311	08E32056S01	CAP,CER 101-J-CH1H-CP
C316	08E31820S01	CAP,CER 104-K-B1E-CP
C319	08E31820S01	CAP,CER 104-K-B1E-CP
C323	08E32056S01	CAP,CER 101-J-CH1H-CP
C324	08E31820S01	CAP,CER 104-K-B1E-CP
C325	08E31820S01	CAP,CER 104-K-B1E-CP
C327	08E31820S01	CAP,CER 104-K-B1E-CP
C328	08E31820S01	CAP,CER 104-K-B1E-CP
C330	08E32056S01	CAP,CER 101-J-CH1H-CP
C331	08E32056S01	CAP,CER 101-J-CH1H-CP
C332	08E32056S01	CAP,CER 101-J-CH1H-CP
C333	08E32056S01	CAP,CER 101-J-CH1H-CP
C334	08E28771S01	CAP,CER 103-K-B1H-CP
C335	08E28771S01	CAP,CER 103-K-B1H-CP
C336	08E31820S01	CAP,CER 104-K-B1E-CP
C337	08E28771S01	CAP,CER 103-K-B1H-CP
C338	08E33659S01	CAP,CER 221-J-CH1H-CP
C339	08E28771S01	CAP,CER 103-K-B1H-CP
C340	08E28771S01	CAP,CER 103-K-B1H-CP
C375	08E33660S01	CAP,CER 102-J-CH1H
C376	08E32056S01	CAP,CER 101-J-CH1H-CP
C377	08E31820S01	CAP,CER 104-K-B1E-CP
C378	08E31820S01	CAP,CER 104-K-B1E-CP
C379	08E31820S01	CAP,CER 104-K-B1E-CP
C380	08E31815S01	CAP,CER 821-K-SL1H-CP
C381	08E31815S01	CAP,CER 821-K-SL1H-CP
C402	08E27841S01	CAP,TF,MMTS 123-J-RD
C403	08E25317S01	CAP,TF,MMTS 474-J-RD
C404	08E22969S01	CAP,TF,MMTS 103-J-RD
C405	08E33110S01	CAP,CER 102-K-B1H-CP
C503	08E31820S01	CAP,CER 104-K-B1E-CP
C504	08E33110S01	CAP,CER 102-K-B1H-CP
C505	08S55504Y01	CAP,CER 334 MX7R2A-CP
C506	08E33316S01	CAP MMH 105-J-M(100V)
C511	08E31820S01	CAP,CER 104-K-B1E-CP
C512	08E33110S01	CAP,CER 102-K-B1H-CP
C513	08E31820S01	CAP,CER 104-K-B1E-CP
C516	08S45539Y05	CAP,CER 152KX7R2J-CP
C517	08E33316S01	CAP MMH 105-J-M(100V)
C518	08E25317S01	CAP,TF,MMTS 474-J-RD
C520	08E31820S01	CAP,CER 104-K-B1E-CP
C521	08E31820S01	CAP,CER 104-K-B1E-CP
C522	08E31820S01	CAP,CER 104-K-B1E-CP
C527	08S45539Y05	CAP,CER 152KX7R2J-CP
C528	08E33316S01	CAP MMH 105-J-M(100V)

C529	08E25317S01	CAP,TF,MMTS 474-J-RD
C530	08E33110S01	CAP,CER 102-K-B1H-CP
C531	08E31820S01	CAP,CER 104-K-B1E-CP
C532	08S55504Y01	CAP,CER 334 MX7R2A-CP
C533	08E31820S01	CAP,CER 104-K-B1E-CP
C535	08E33110S01	CAP,CER 102-K-B1H-CP
C537	08E33110S01	CAP,CER 102-K-B1H-CP
C539	08E33110S01	CAP,CER 102-K-B1H-CP
C541	08E33110S01	CAP,CER 102-K-B1H-CP
C543	08E33110S01	CAP,CER 102-K-B1H-CP
C547	08S45539Y01	CAP,CER 102KX7R2J-CP
C548	08S45539Y01	CAP,CER 102KX7R2J-CP
C549	08S55504Y01	CAP,CER 334 MX7R2A-CP
C550	08S55504Y01	CAP,CER 334 MX7R2A-CP
C552	08S55504Y01	CAP,CER 334 MX7R2A-CP
C554	08E33110S01	CAP,CER 102-K-B1H-CP
C555	08E33110S01	CAP,CER 102-K-B1H-CP
C556	08E31991S01	CAP,CER 222-K-B1H-CP
C557	08E31991S01	CAP,CER 222-K-B1H-CP
C565	08E33110S01	CAP,CER 102-K-B1H-CP
C567	08E33110S01	CAP,CER 102-K-B1H-CP
C569	08E33110S01	CAP,CER 102-K-B1H-CP
C571	08E33110S01	CAP,CER 102-K-B1H-CP
C577	08E33110S01	CAP,CER 102-K-B1H-CP
C579	08E33110S01	CAP,CER 102-K-B1H-CP
C581	08E33110S01	CAP,CER 102-K-B1H-CP
C583	08E33110S01	CAP,CER 102-K-B1H-CP
C592	08S45539Y01	CAP,CER 102KX7R2J-CP
C593	08S45539Y01	CAP,CER 102KX7R2J-CP
C602	08E31170S01	CAP,CER 223-K-B1H-CP
C603	08E28771S01	CAP,CER 103-K-B1H-CP
C604	08E28771S01	CAP,CER 103-K-B1H-CP
C605	08E28771S01	CAP,CER 103-K-B1H-CP
C607	08S45539Y01	CAP,CER 102KX7R2J-CP
C608	08E33110S01	CAP,CER 102-K-B1H-CP
C609	08E33110S01	CAP,CER 102-K-B1H-CP
C610	08E27842S01	CAP,TF,AMCS 122-J-RD
C614	08S45539Y01	CAP,CER 102KX7R2J-CP
C615	08E33110S01	CAP,CER 102-K-B1H-CP
C617	08E31991S01	CAP,CER 222-K-B1H-CP
C618	08E28771S01	CAP,CER 103-K-B1H-CP
C619	08T95420W01	CAP,CER 101K-R2J -CP
C620	08S45539Y04	CAP, CER 103KX7R2J-CP
C621	08S45539Y04	CAP, CER 103KX7R2J-CP
C623	08E28771S01	CAP,CER 103-K-B1H-CP
C626	08E28771S01	CAP,CER 103-K-B1H-CP
C629	08E28771S01	CAP,CER 103-K-B1H-CP
C630	08T95420W01	CAP,CER 101K-R2J -CP
C631	08T95420W01	CAP,CER 101K-R2J -CP
C632	08E33110S01	CAP,CER 102-K-B1H-CP
C634	08E28771S01	CAP,CER 103-K-B1H-CP
C639	08E31820S01	CAP,CER 104-K-B1E-CP
C647	08E31820S01	CAP,CER 104-K-B1E-CP
C701	08E31820S01	CAP,CER 104-K-B1E-CP
C901	08E31815S01	CAP,CER 821-K-SL1H-CP
C902	08E31815S01	CAP,CER 821-K-SL1H-CP
CB302	09T15373Y12	FFC,52610-1290 -E9

CL301	91T45281Y04	OSC,CER CSTCR7M70-E1
D103	48T85357W01	DIO,1PS226-CP
D104	48T85357W01	DIO,1PS226-CP
D105	48T85357W01	DIO,1PS226-CP
D106	48T85357W01	DIO,1PS226-CP
D301	48T15702W01	DIO,CP SB05-05CP
D302	48T68828F11	DIO,1SS133-RH
D303	48T15702W01	DIO,CP SB05-05CP
D501	48E23841S01	DIO,DAP,202K-T-146-CP
D601	48T84052F11	DIO SI 11ES2-TB5-R5
D602	48T75453Y01	DIO,RF2001T2D-DB
D603	48E36245S01	DIO,SHT FRH20A15-DS
D604	48T68828F11	DIO,1SS133-RH
D605	48T84052F11	DIO SI 11ES2-TB5-R5
D606	48T68828F11	DIO,1SS133-RH
D701	48E10945S01	DIO,DAN 202K-T-146-CP
D702	48T68828F11	DIO,1SS133-RH
D901	48E23841S01	DIO,DAP,202K-T-146-CP
E110	23E33401S01	CAP,ELEC,SHL 100/10-M-RD
E111	23E33400S01	CAP,ELEC,SHL 47/16-M-RD
E112	23E33349S01	CAP,ELEC,SHL 4.7/50-M-RD
E113	23E33349S01	CAP,ELEC,SHL 4.7/50-M-RD
E114	23E33349S01	CAP,ELEC,SHL 4.7/50-M-RD
E115	23E33664S01	CAP,ELEC,SHL 0.47/50-M-RD
E116	23E33664S01	CAP,ELEC,SHL 0.47/50-M-RD
E121	23T45174W18	CAP,SME 3R3-1H-BP-R5
E122	23T45174W18	CAP,SME 3R3-1H-BP-R5
E123	23T45174W18	CAP,SME 3R3-1H-BP-R5
E124	23T45174W18	CAP,SME 3R3-1H-BP-R5
E129	23E33351S01	CAP,ELEC,SHL 22/50-M-RD
E130	23E33351S01	CAP,ELEC,SHL 22/50-M-RD
E201	23E33351S01	CAP,ELEC,SHL 22/50-M-RD
E203	23E33400S01	CAP,ELEC,SHL 47/16-M-RD
E204	23E33400S01	CAP,ELEC,SHL 47/16-M-RD
E205	23E33400S01	CAP,ELEC,SHL 47/16-M-RD
E206	23E33400S01	CAP,ELEC,SHL 47/16-M-RD
E207	23E33400S01	CAP,ELEC,SHL 47/16-M-RD
E208	23E33400S01	CAP,ELEC,SHL 47/16-M-RD
E209	23E33401S01	CAP,ELEC,SHL 100/10-M-RD
E304	23E36237S01	CAP,ELEC,SHL 22/25-M-RD
E305	23E33349S01	CAP,ELEC,SHL 4.7/50-M-RD
E307	23E33348S01	CAP,ELEC,SHL 47/25-M-RD
E308	23E36237S01	CAP,ELEC,SHL 22/25-M-RD
E309	23E36237S01	CAP,ELEC,SHL 22/25-M-RD
E310	23E33400S01	CAP,ELEC,SHL 47/16-M-RD
E501	23T65093Y01	CAP,PW 10R-2A-R2
E502	23E36231S01	CAP,ELEC,47/35-M-RD
E503	23E36231S01	CAP,ELEC,47/35-M-RD
E505	23E33341S01	CAP,ELEC,1/50-M-RD
E506	23T65093Y01	CAP,PW 10R-2A-R2
E507	23E33341S01	CAP,ELEC,1/50-M-RD
E508	23E33341S01	CAP,ELEC,1/50-M-RD
E509	23T65093Y01	CAP,PW 10R-2A-R2
E510	23T65093Y01	CAP,PW 10R-2A-R2
E512	23T65093Y01	CAP,PW 10R-2A-R2
E601	23E36255S01	CAP,ELEC,470/10-M-RD
E602	23E33401S01	CAP,ELEC,SHL 100/10-M-RD



# MRD-M501

E605	23E36230S01	CAP,ELEC,47/25-M-RD
E606	23E36230S01	CAP,ELEC,47/25-M-RD
E607	23E36236S01	CAP,ELEC,SHL 330/25-M-RD
E608	23E36254S01	CAP,ELEC 330/10-M-RD
E614	23E36236S01	CAP,ELEC,SHL 330/25-M-RD
E620	23E33401S01	CAP,ELEC,SHL 100/10-M-RD
E623	23E33346S01	CAP,ELEC,SHL 100/16-M-RD
E624	23E33346S01	CAP,ELEC,SHL 100/16-M-RD
E625	23E36233S01	CAP,ELEC,470/25-M-RD
E626	23E36233S01	CAP,ELEC,470/25-M-RD
E627	23T75395Y01	CAP,KMH 822-1V +
E628	23T75395Y01	CAP,KMH 822-1V +
E631	23E33398S01	CAP,ELEC,SHL 2.2/50-M-RD
E632	23E33398S01	CAP,ELEC,SHL 2.2/50-M-RD
E901	23E36256S01	CAP,ELEC,4.7/50-M-RD
E6001	23T65601Y04	CAP, KY 182-1E +
E6002	23T65601Y04	CAP, KY 182-1E +
E6003	23T65601Y04	CAP, KY 182-1E +
E6004	23T65601Y04	CAP, KY 182-1E +
E6005	23T65601Y04	CAP, KY 182-1E +
E6006	23T65601Y04	CAP, KY 182-1E +
IC101	51E35178S01	IC,NJM4580V-TE2
IC102	51T15168Y01	IC, TEA6324T-A
IC103	51E35178S01	IC,NJM4580V-TE2
IC104	51E35178S01	IC,NJM4580V-TE2
IC107	51E35166S01	IC NJM2100V-TE2
IC201	51T45654Y03	TC94A04AFD-016
IC301	53-00294Z54	IC,TMP86PM47U-XXX-QT
IC302	51T65016Y30	IC S-80942 CNMC-T2-CP
IC303	51E35180S01	IC, MC24C01-WMN6T-SE2
IC304	51T55129Y01	LM20BIM7-CP
IC305	51E33393S01	IC,NJMOP-07M-TE3
IC306	51T15191Y01	TC74VHC08FT
IC307	51E35470S01	BA00BC0WFP-E2
IC308	51E36226S01	IC,NJM2360AM-TE1
IC309	51T15191Y01	TC74VHC08FT
IC310	51T15731W05	IC,TC7S04F
IC311	51T25084Y01	TC74VHC74FT
IC401	51T35012Y01	IC, TC9246F-EL
IC501	51E36225S01	IC,TDA7571
IC601	51E28014S01	IC, NJM78L05UA-TE1
IC602	51E35173S01	IC,REG NJM7805FA,T0-220F
IC603	51E34570S01	IC,REG,NJM7808FA,TO-220F
IC604	51T65016Y31	IC S-80943 CNMC-T2-CP
IC606	51E27890S01	IC, uPC 494GS
IC610	51T75197W09	AN77L09M-TX-NE2
IC612	51E35173S01	IC,REG NJM7805FA,T0-220F
IC901	51E23843S01	IC,NJM2903M-TE3
L301	24T65110W28	IND,LK2125 10RK -CP
L302	24T15313Y17	IND,CDRH104 221M-E6
Q301	48E28010S01	TR,2SB 1238Q-TL4-RD
Q302	48E22555S01	TR,DTC 144EK-T146-CP
Q303	48E10426S01	TR,DTC 124EK-T146-CP
Q501	48T75511Y01	FET, IRFZ34E
Q502	48T75511Y01	FET, IRFZ34E
Q503	48E36246S01	FET,SFP9Z34 PBF
Q504	48E36246S01	FET,SFP9Z34 PBF

Q505	48E36246S01	FET,SFP9Z34 PBF
Q506	48E36246S01	FET,SFP9Z34 PBF
Q507	48T75511Y01	FET, IRFZ34E
Q508	48T75511Y01	FET, IRFZ34E
Q601	48E23853S01	TR,2SB 1243Q-TV4-RD
Q602	48E22095S01	TR, DTC 143XK-T-146-CP
Q603	48E28010S01	TR,2SB 1238Q-TL4-RD
Q605	48E22902S01	TR,2SC2412K-Q,R,S-T146-CP
Q609	48T75459Y01	FET,IRF3205 PBF
Q610	48T75459Y01	FET,IRF3205 PBF
Q611	48E22092S01	TR,DTA 124EK-T146-CP
Q612	48T75459Y01	FET,IRF3205 PBF
Q614	48T75459Y01	FET,IRF3205 PBF
Q617	48T69177F01	TR ,2SA1358-O,Y
Q618	48T69176F01	TR,2SC3421-O,Y
Q701	48E22902S01	TR,2SC2412K-Q,R,S-T146-CP
Q702	48E22555S01	TR,DTC 144EK-T146-CP
Q705	48E22902S01	TR,2SC2412K-Q,R,S-T146-CP
Q706	48E22902S01	TR,2SC2412K-Q,R,S-T146-CP
R102	06T75049Y01	RES,CF,223-B-1/16-CP
R103	06T75049Y01	RES,CF,223-B-1/16-CP
R104	06T75049Y01	RES,CF,223-B-1/16-CP
R105	06T75049Y01	RES,CF,223-B-1/16-CP
R109	06T75049Y01	RES,CF,223-B-1/16-CP
R110	06T75049Y01	RES,CF,223-B-1/16-CP
R111	06T75049Y01	RES,CF,223-B-1/16-CP
R112	06T75049Y01	RES,CF,223-B-1/16-CP
R117	06E31174S01	RES,CF,332-J-1/16-CP
R118	06E31174S01	RES,CF,332-J-1/16-CP
R119	06E32291S01	RES,CF,104-F-1/16-CP
R120	06E32291S01	RES,CF,104-F-1/16-CP
R121	06E31150S01	RES,CF,112-J-1/16-CP
R122	06E31150S01	RES,CF,112-J-1/16-CP
R123	06E32291S01	RES,CF,104-F-1/16-CP
R124	06E32291S01	RES,CF,104-F-1/16-CP
R125	06E31150S01	RES,CF,112-J-1/16-CP
R126	06E31150S01	RES,CF,112-J-1/16-CP
R147	06E31157S01	RES,CF,203-J-1/16-CP
R148	06E31157S01	RES,CF,203-J-1/16-CP
R149	06E28534S01	RES,CF,103-J-1/16-CP
R150	06E28535S01	RES,CF,223-J-1/16-CP
R151	06E28535S01	RES,CF,223-J-1/16-CP
R152	06E33235S01	RES,CF,102-F-1/16-CP
R153	06E33235S01	RES,CF,102-F-1/16-CP
R154	06E33235S01	RES,CF,102-F-1/16-CP
R155	06E33235S01	RES,CF,102-F-1/16-CP
R156	06E34581S01	RES,CF,331-F-1/16-CP
R157	06E34581S01	RES,CF,331-F-1/16-CP
R160	06E28533S01	RES,CF,102-J-1/16-CP
R161	06E28533S01	RES,CF,102-J-1/16-CP
R162	06E28533S01	RES,CF,102-J-1/16-CP
R163	06E28533S01	RES,CF,102-J-1/16-CP
R164	06E28533S01	RES,CF,102-J-1/16-CP
R175	06E28795S01	RES,CF,333-J-1/16-CP
R176	06E28555S01	RES,CF,153-J-1/16-CP
R177	06E28795S01	RES,CF,333-J-1/16-CP
R178	06E28555S01	RES,CF,153-J-1/16-CP

R179	06E33329S01	RES,CF,511-J-1/16-CP
R180	06E33329S01	RES,CF,511-J-1/16-CP
R201	06E28533S01	RES,CF,102-J-1/16-CP
R205	06E31685S01	RES,CF,105-J-1/16-CP
R206	06E28533S01	RES,CF,102-J-1/16-CP
R207	06E28533S01	RES,CF,102-J-1/16-CP
R208	06E31160S01	RES,CF,473-J-1/16-CP
R209	06E28624S01	RES,CF,0R0-J-1/16-CP
R210	06E28624S01	RES,CF,0R0-J-1/16-CP
R211	06E28548S01	RES,CF,471-J-1/16-CP
R301	06E20752S01	RES,CF,221-J-1/4-CP
R302	06E31153S01	RES,CF,222-J-1/16-CP
R303	06E28534S01	RES,CF,103-J-1/16-CP
R305	06E31153S01	RES,CF,222-J-1/16-CP
R306	06E31153S01	RES,CF,222-J-1/16-CP
R307	06E33235S01	RES,CF,102-F-1/16-CP
R308	06E36253S01	RES,CF,154-F-1/16-CP
R309	06E36253S01	RES,CF,154-F-1/16-CP
R310	06E33235S01	RES,CF,102-F-1/16-CP
R329	06E28548S01	RES,CF,471-J-1/16-CP
R330	06E28534S01	RES,CF,103-J-1/16-CP
R331	06E31160S01	RES,CF,473-J-1/16-CP
R332	06E28534S01	RES,CF,103-J-1/16-CP
R333	06E28533S01	RES,CF,102-J-1/16-CP
R334	06E28537S01	RES,CF,104-J-1/16-CP
R335	06E28533S01	RES,CF,102-J-1/16-CP
R336	06E28537S01	RES,CF,104-J-1/16-CP
R339	06E22074S01	RES,CF,102-J-1/4-CP
R345	06E28534S01	RES,CF,103-J-1/16-CP
R346	06E28534S01	RES,CF,103-J-1/16-CP
R347	06E28537S01	RES,CF,104-J-1/16-CP
R348	06E28537S01	RES,CF,104-J-1/16-CP
R350	06E28534S01	RES,CF,103-J-1/16-CP
R351	06E28534S01	RES,CF,103-J-1/16-CP
R352	06E22074S01	RES,CF,102-J-1/4-CP
R353	06E20547S01	RES,CF,561-J-1/4-CP
R354	06E28548S01	RES,CF,471-J-1/16-CP
R355	06E28537S01	RES,CF,104-J-1/16-CP
R356	06E28548S01	RES,CF,471-J-1/16-CP
R357	06E28537S01	RES,CF,104-J-1/16-CP
R358	06E20547S01	RES,CF,561-J-1/4-CP
R361	06E33835S01	RES,CF,181-J-1/16-CP
R362	06E36228S01	RES,CF,243-F-1/16-CP
R363	06E34550S01	RES,CF,272-F-1/16-CP
R364	06E31160S01	RES,CF,473-J-1/16-CP
R366	06E36223S01	RES,CF,273-F-1/16-CP
R367	06E34814S01	RES,CF,513-F-1/16-CP
R368	06E28622S01	RES,CF,682-J-1/16-CP
R370	06E28534S01	RES,CF,103-J-1/16-CP
R371	06E28534S01	RES,CF,103-J-1/16-CP
R372	06E28534S01	RES,CF,103-J-1/16-CP
R373	06E28534S01	RES,CF,103-J-1/16-CP
R374	06E31175S01	RES,CF,822-J-1/16-CP
R375	06E36222S01	RES,CF,1RO-J-1/4-CP
R376	06E36222S01	RES,CF,1RO-J-1/4-CP
R377	06E31810S01	RES,CF,223-F-1/16-CP
R379	06E20545S01	RES,CF,33R-J-1/4-CP

R380	06E20545S01	RES,CF, 33R-J-1/4-CP
R381	06E20545S01	RES,CF, 33R-J-1/4-CP
R382	06E20545S01	RES,CF, 33R-J-1/4-CP
R383	06E28533S01	RES,CF,102-J-1/16-CP
R384	06E28533S01	RES,CF,102-J-1/16-CP
R401	06E31174S01	RES,CF,332-J-1/16-CP
R402	06E32201S01	RES,CF,391-J-1/16-CP
R403	06E31148S01	RES,CF,101-J-1/16-CP
R404	06E28624S01	RES,CF,0R0-J-1/16-CP
R501	06E31148S01	RES,CF,101-J-1/16-CP
R506	06E33314S01	RES RW 0.01R-J-5W
R507	06E20545S01	RES,CF, 33R-J-1/4-CP
R514	06E33235S01	RES,CF,102-F-1/16-CP
R515	06E35127S01	RES,CF 472-F-1/4-CP
R519	06E33254S01	RES,CF,332-F-1/16-CP
R520	06E22114S01	RES,CF, 27R-J-1/4-CP
R527	06E33314S01	RES RW 0.01R-J-5W
R528	06E28534S01	RES,CF,103-J-1/16-CP
R529	06E22115S01	RES,CF, 101-J-1/4-CP
R534	06E31148S01	RES,CF,101-J-1/16-CP
R535	06E33386S01	RES,MO 3W-J-27
R536	06E33386S01	RES,MO 3W-J-27
R537	06E33385S01	RES,MO 3W-J-10
R538	06E33385S01	RES,MO 3W-J-10
R540	06E31148S01	RES,CF,101-J-1/16-CP
R545	06E33314S01	RES RW 0.01R-J-5W
R546	06E33235S01	RES,CF,102-F-1/16-CP
R547	06E22114S01	RES,CF, 27R-J-1/4-CP
R548	06E35127S01	RES,CF 472-F-1/4-CP
R550	06E20545S01	RES,CF, 33R-J-1/4-CP
R554	06E28624S01	RES,CF,0R0-J-1/16-CP
R555	06E33314S01	RES RW 0.01R-J-5W
R557	06E31148S01	RES,CF,101-J-1/16-CP
R562	06E28624S01	RES,CF,0R0-J-1/16-CP
R563	06E27916S01	RES,CF, 12R-J-1/4-CP
R564	06E27916S01	RES,CF, 12R-J-1/4-CP
R565	06E27916S01	RES,CF, 12R-J-1/4-CP
R566	06E27916S01	RES,CF, 12R-J-1/4-CP
R567	06E27916S01	RES,CF, 12R-J-1/4-CP
R568	06E27916S01	RES,CF, 12R-J-1/4-CP
R569	06E27916S01	RES,CF, 12R-J-1/4-CP
R570	06E27916S01	RES,CF, 12R-J-1/4-CP
R601	06E26239S01	RES,CF, 103-J-1/4-CP
R602	06E23597S01	RES,CF, 182-J-1/4-CP
R603	06E31160S01	RES,CF,473-J-1/16-CP
R604	06E26239S01	RES,CF, 103-J-1/4-CP
R605	06E35131S01	RES,CF,393-F-1/16-CP
R606	06E28534S01	RES,CF,103-J-1/16-CP
R607	06E34813S01	RES,CF,303-F-1/16-CP
R609	06E33335S01	RES,CF, 303-J-1/4-CP
R610	06E33278S01	RES,CF,563-F-1/16-CP
R611	06E31687S01	RES,CF,103-F-1/16-CP
R613	06E20545S01	RES,CF, 33R-J-1/4-CP
R621	06E31153S01	RES,CF,222-J-1/16-CP
R622	06E28793S01	RES,CF,183-J-1/16-CP
R629	06E20545S01	RES,CF, 33R-J-1/4-CP
R631	06E28549S01	RES,CF,472-J-1/16-CP

# MRD-M501

R633	06E34813S01	RES,CF,303-F-1/16-CP
R636	06E33392S01	RES,CF,821-J-1/16-CP
R638	06E34536S01	RES,CF,242-F-1/16-CP
R639	06E31175S01	RES,CF,822-J-1/16-CP
R640	06E28535S01	RES,CF,223-J-1/16-CP
R641	06E36252S01	RES,CF,302-F-1/16-CP
R642	06E34813S01	RES,CF,303-F-1/16-CP
R643	06E23597S01	RES,CF, 182-J-1/4-CP
R644	06E23597S01	RES,CF, 182-J-1/4-CP
R645	06E23597S01	RES,CF, 182-J-1/4-CP
R646	06E31159S01	RES,CF,303-J-1/16-CP
R647	06E28549S01	RES,CF,472-J-1/16-CP
R648	06E28549S01	RES,CF,472-J-1/16-CP
R651	06E22114S01	RES,CF, 27R-J-1/4-CP
R652	06E22114S01	RES,CF, 27R-J-1/4-CP
R653	06E22114S01	RES,CF, 27R-J-1/4-CP
R654	06E22114S01	RES,CF, 27R-J-1/4-CP
R655	06E28792S01	RES,CF,123-J-1/16-CP
R656	06E28792S01	RES,CF,123-J-1/16-CP
R657	06E31685S01	RES,CF,105-J-1/16-CP
R658	06E31685S01	RES,CF,105-J-1/16-CP
R659	06E33340S01	RES MO-221-J-1W-RD
R660	06E33340S01	RES MO-221-J-1W-RD
R661	06E33340S01	RES MO-221-J-1W-RD
R662	06E33340S01	RES MO-221-J-1W-RD
R664	06E31161S01	RES,CF,563-J-1/16-CP
R701	06E28534S01	RES,CF,103-J-1/16-CP
R702	06E28534S01	RES,CF,103-J-1/16-CP
R703	06E28534S01	RES,CF,103-J-1/16-CP
R704	06E28535S01	RES,CF,223-J-1/16-CP
R705	06E31160S01	RES,CF,473-J-1/16-CP
R706	06E28535S01	RES,CF,223-J-1/16-CP
R708	06E28535S01	RES,CF,223-J-1/16-CP
R709	06E31160S01	RES,CF,473-J-1/16-CP
R711	06E23859S01	RES,CF, 391-J-1/4-CP
R712	06E28534S01	RES,CF,103-J-1/16-CP
R901	06E28534S01	RES,CF,103-J-1/16-CP
R902	06S15593Y57	RES, RK 222F 1/10-CP
R903	06S15593Y99	RES,CF,124-F-1/10-CP
R904	06E28534S01	RES,CF,103-J-1/16-CP
R905	06S15593Y99	RES,CF,124-F-1/10-CP
R906	06S15593Y57	RES, RK 222F 1/10-CP
R907	06E31160S01	RES,CF,473-J-1/16-CP
SD501	48T65242Y01	DIO, SHT FP05H10 -L -CP
SD502	48T65242Y01	DIO, SHT FP05H10 -L -CP
SD503	48T65242Y01	DIO, SHT FP05H10 -L -CP
SD504	48T65242Y01	DIO, SHT FP05H10 -L -CP
SW101	40E23679S01	SW,SSAF 122NA (INPUT LEVEL (0.5-8.0V/0.1V-2.0V))
T501	25T75450Y01	CHOKE,BC2711IR-DB
T502	25T75450Y01	CHOKE,BC2711IR-DB
T603	24E36248S01	CHOKE TRANS EER28L 20U/60A
T604	25E36247S01	TRANS,EER40 (3T/7T)
T605	25T75404Y01	CHOKE, TF3423VU -DB
TH601	48T75202Y02	TMT,NCP18WE104FOS -CP
TH701	48T75382Y01	TMT,PRF18AS471OS2-CP
XL201	91T55217Y02	XTL,NX8045GB 33.8-E5

Z101	91T75197Y01	EMI,ACM4532-801-E2
Z102	91T75197Y01	EMI,ACM4532-801-E2
Z201	91T65112W04	EMI,BK2125 HS601-CP
Z208	91T15509Y08	EMI,BK1608HM102-CP
Z301	91T15509Y08	EMI,BK1608HM102-CP
Z302	91T15509Y08	EMI,BK1608HM102-CP
Z303	91T15509Y08	EMI,BK1608HM102-CP
Z304	91T15509Y08	EMI,BK1608HM102-CP
Z305	91T65112W04	EMI,BK2125 HS601-CP
Z306	91T65112W04	EMI,BK2125 HS601-CP
Z307	91T15509Y08	EMI,BK1608HM102-CP
Z308	91T15509Y08	EMI,BK1608HM102-CP
Z309	91T65112W04	EMI,BK2125 HS601-CP
Z310	91T15509Y08	EMI,BK1608HM102-CP
Z311	91T65112W04	EMI,BK2125 HS601-CP
Z312	91T65112W04	EMI,BK2125 HS601-CP
Z313	91T65112W04	EMI,BK2125 HS601-CP
Z314	91T65112W04	EMI,BK2125 HS601-CP
Z316	91T15509Y08	EMI,BK1608HM102-CP
Z320	91T15509Y08	EMI,BK1608HM102-CP
Z322	91T15509Y08	EMI,BK1608HM102-CP
Z323	91T15509Y08	EMI,BK1608HM102-CP
Z324	91T15509Y08	EMI,BK1608HM102-CP
Z325	91T15509Y08	EMI,BK1608HM102-CP
Z330	91T15509Y08	EMI,BK1608HM102-CP
Z331	91T15509Y08	EMI,BK1608HM102-CP
Z501	91T65112W04	EMI,BK2125 HS601-CP
Z502	91T65112W04	EMI,BK2125 HS601-CP
Z601	91T65112W04	EMI,BK2125 HS601-CP
Z602	91T65112W04	EMI,BK2125 HS601-CP
ZD301	48T25801W11	DIO,ZEN,HZS 5BLL-R5
ZD601	48T25766W01	DIO,ZEN,HZS 6A1L-R5
ZD602	48T25766W46	DIO,ZEN HZS 15-2L-R5
ZD603	48T25801W11	DIO,ZEN,HZS 5BLL-R5
ZD605	48T25766W48	DIO,ZEN HZS16-1L-R5
ZD606	48T25766W48	DIO,ZEN HZS16-1L-R5
ZD701	48T25766W24	DIO,ZEN.HZS 9C1L-R5
ZD702	48T25766W24	DIO,ZEN.HZS 9C1L-R5
=====Miscellaneous		
DIN301	09E33321S01	7P DIN SOCKET SCREW TYPE (CONTROLLER)
F601	65E25308S01	FUSE,AUTO 30A(257030)
F602	65E25308S01	FUSE,AUTO 30A(257030)
JK101	09E32052S01	RCA JACK 04P(ISOLATED) (INPUT/PRE OUT)
TML101	09E36250S01	POWER TERMINAL(3P) (POWER SUPPLY)
TML501	09E36249S01	BLOCK TERMINAL 2P (SPEAKER OUTPUT)

## Cabinet Assembly Parts List

Note : The part that has not PART NUMBER will not be supplied.

1	-----	MAIN H/SINK
2	-----	CAST,SIDE(R)
3	-----	CAST,SIDE(L)
4	-----	CHAS,FRONT(B)
5	-----	COVER,BOTTOM(B)
6	03E36201S01	SCR, M3X10(P)TPG-TPT (BLK)
7	03E36202S01	SCR, M2X10(P)TPG 1(BLK)
8	03E28022S01	SCR(MFSn-2), M2.6X6(B) TPG-TPT(WHT)
9	03E36203S01	SCR, M2.6X8(P) MCH(BLK)
10	03E36204S01	SCR, M3X11(W)TPG-TPT(WHT)
11	03E36205S01	SCR, M2.6X5(B)MCH-TPT(BLK)
12	03E36206S01	SCR, M3X8(B)TPG-TPT(BLK)
13	03E36207S01	SCR, M3X6(B)TPG-TPT(BLK)
14	03E36208S01	WRENCH BOLT, M3X12(WHT)
15	03E36209S01	SCR, M3X18(S.W)TPG-TPT(BLK)
16	03E36210S01	SCR, M3X10(SW)TPG-TPT(WHT)
17	15E11445S01	COVER, S/W
18	-----	SUPPORT PCB
19	-----	TC-600HS1.4(15-15)
20	75E36243S01	SILPAD(135X20.5)
21	-----	BAR, H/SINK(A)
22	15E36211S01	COVER, SHAFT
23	15E36212S01	COVER, HINGE
24	-----	SHAFT, HINGE
25	-----	HINGE ASS'Y
26	-----	COVER, OPEN(B)
27	-----	SCALE PLATE(B)
28	01E36251S01	ASS'Y VFD MODUL PWB
29	-----	HOLDER, VFD
30	-----	FL, CCA-01SS24T-DB
31	-----	FILTER, INNER
32	-----	KNOB, MONO(R)
33	-----	KNOB MONO(L)
34	-----	HOLDER, KNOB
35	-----	HOLDER, VFD
36	-----	LENS, LED
37	-----	COVER, VFD
38	-----	FFC WIRE 12P (240MM)
39	64E36242S01	SHEET, VFD(B)
40	07E26525S01	BKT, PANEL(A)
41	-----	GND, PANEL -RD
42	15E27865S01	FUSE HOLDER
44	-----	BADGE, PLATE
45	75E36244S01	SILPAD(123X20.5)